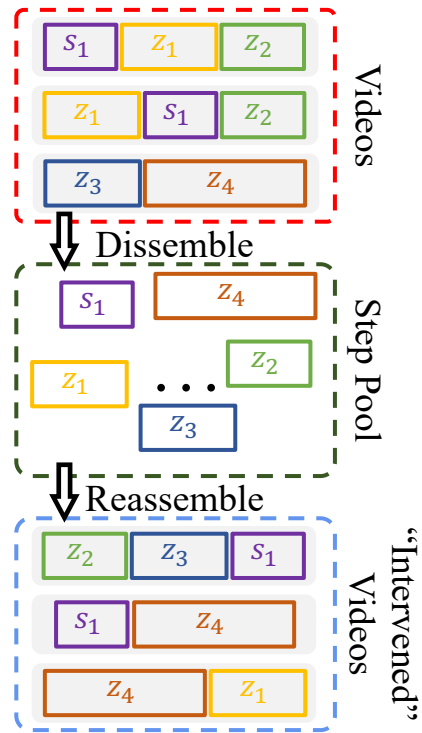
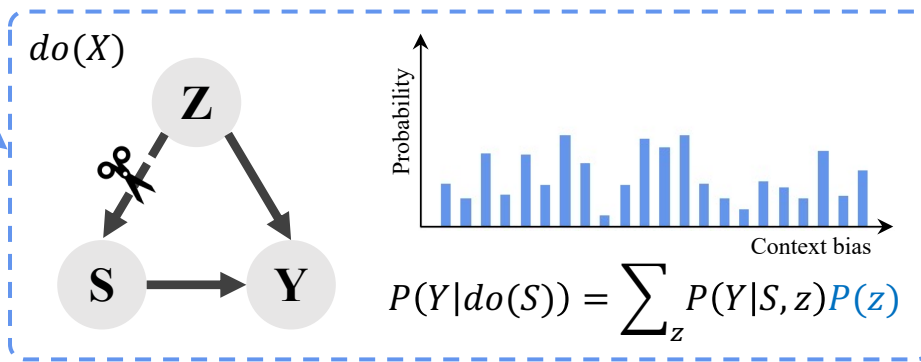
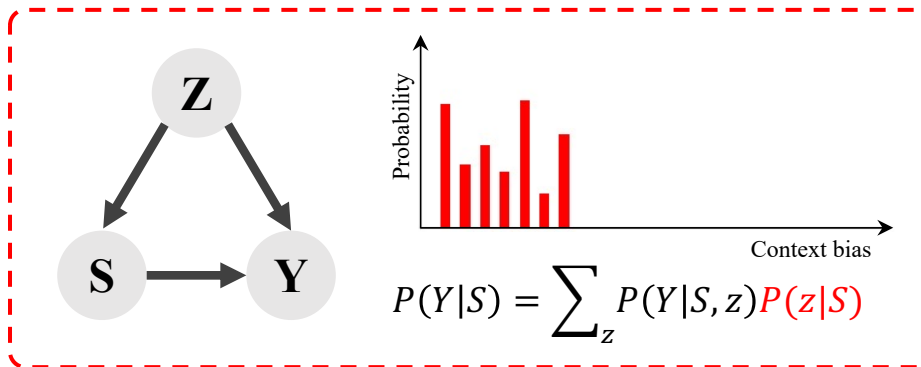


S: Step Y: Prediction Z: Context bias



(a)

(b)